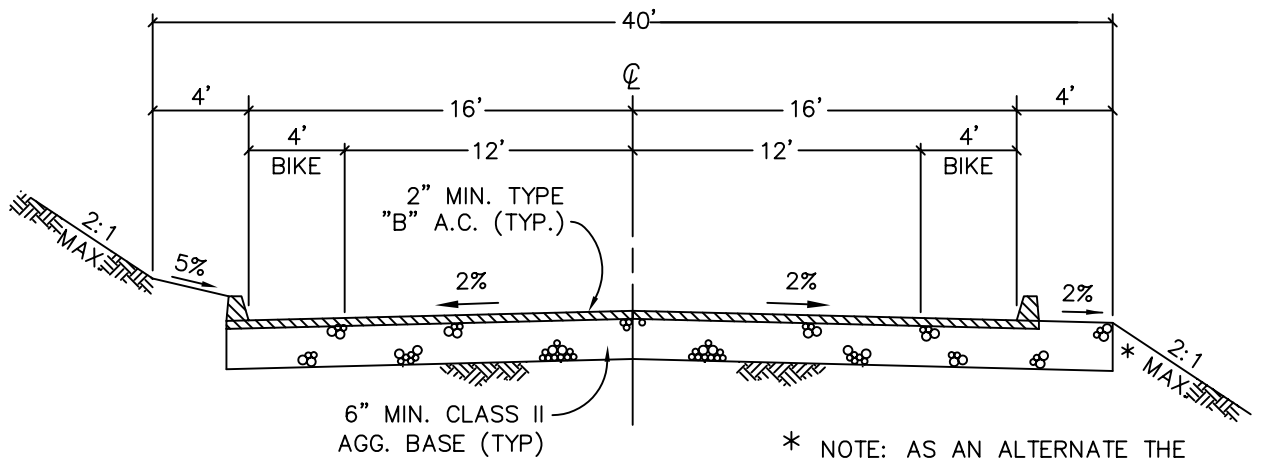
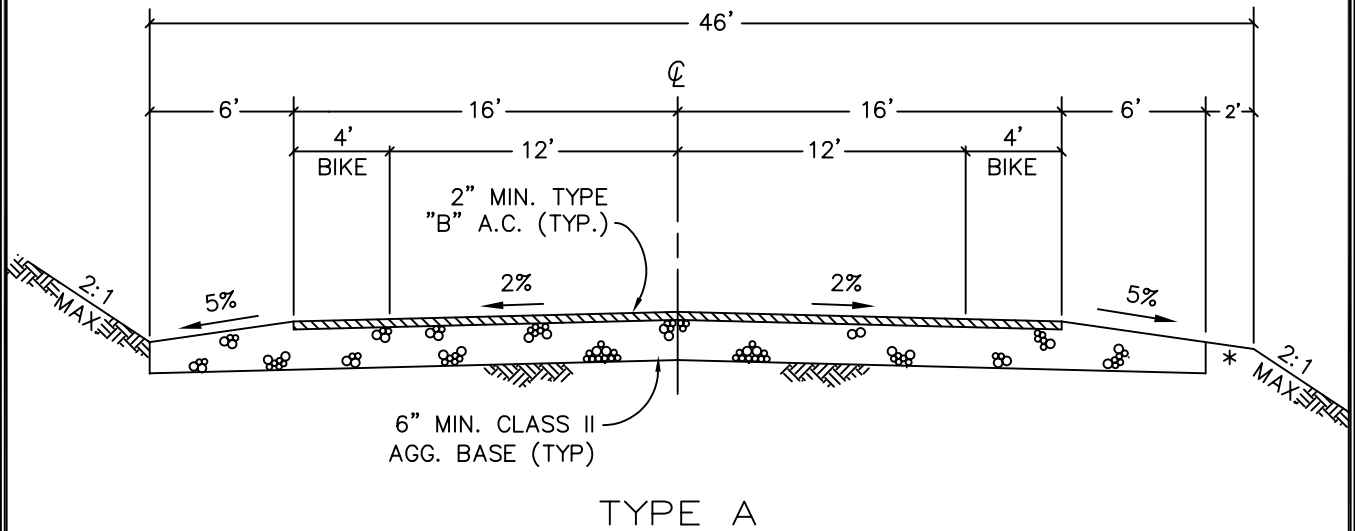
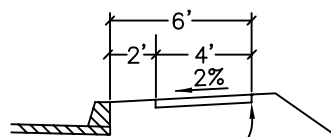


REVISIONS				APPROVALS	
DESCRIPTIONS	BY	DATE	APPROVED	COUNCIL RESOLUTION NO.	3/10/92

MINIMUM R/W: 50'



* NOTE: AS AN ALTERNATE THE CHOKER CAN BE ELIMINATED AND THE AGG. BASE CARRIED TO THE HINGE POINT.



2" A.C. OR GRAVEL WALKWAY ON DESIGNATED STREETS AS APPROVED BY THE ENGINEER (MAY MEANDER WITHIN 6' ZONE)

DRAWN BY: R.A.L.	CITY OF ATASCADERO ENGINEERING DEPARTMENT	DRAWING NO.
DESIGNED BY: S.J.S.		403
DATE: 2/27/92	TYPICAL SECTIONS	
FILE NAME: AT403.DWG	RURAL COLLECTOR	