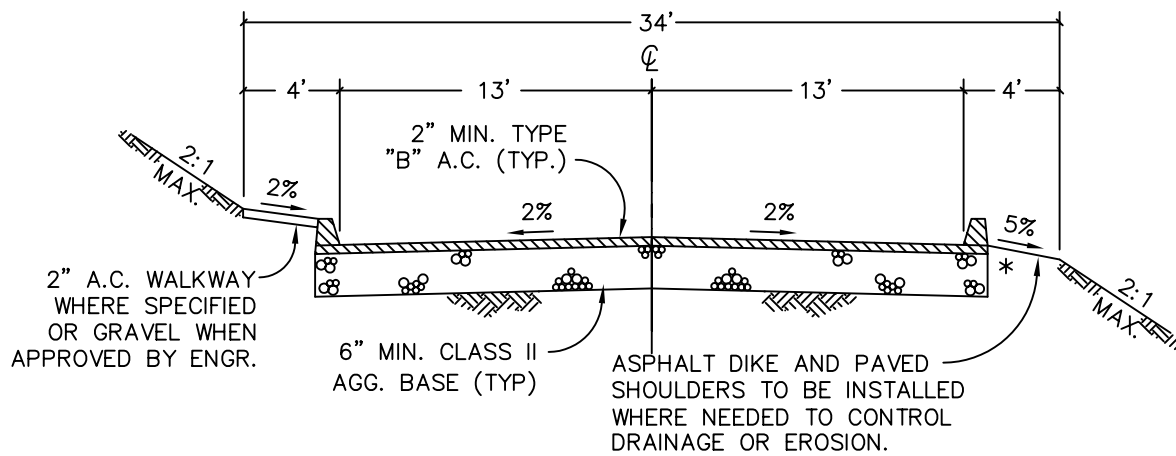


REVISIONS				APPROVALS	
DESCRIPTIONS	BY	DATE	APPROVED	COUNCIL RESOLUTION NO.	3/10/92

MINIMUM R/W: 40' EXISTING ROADS
50' NEW ROADS



* NOTE: AS AN ALTERNATE THE CHOKER CAN BE ELIMINATED AND THE AGG. BASE CARRIED TO THE HINGE POINT.

DRAWN BY: R.A.L.	CITY OF ATASCADERO ENGINEERING DEPARTMENT	DRAWING NO.
DESIGNED BY: S.J.S.		404
DATE: 2/27/92	TYPICAL SECTIONS	
FILE NAME: AT404.DWG	RURAL HILLSIDE COLLECTOR	