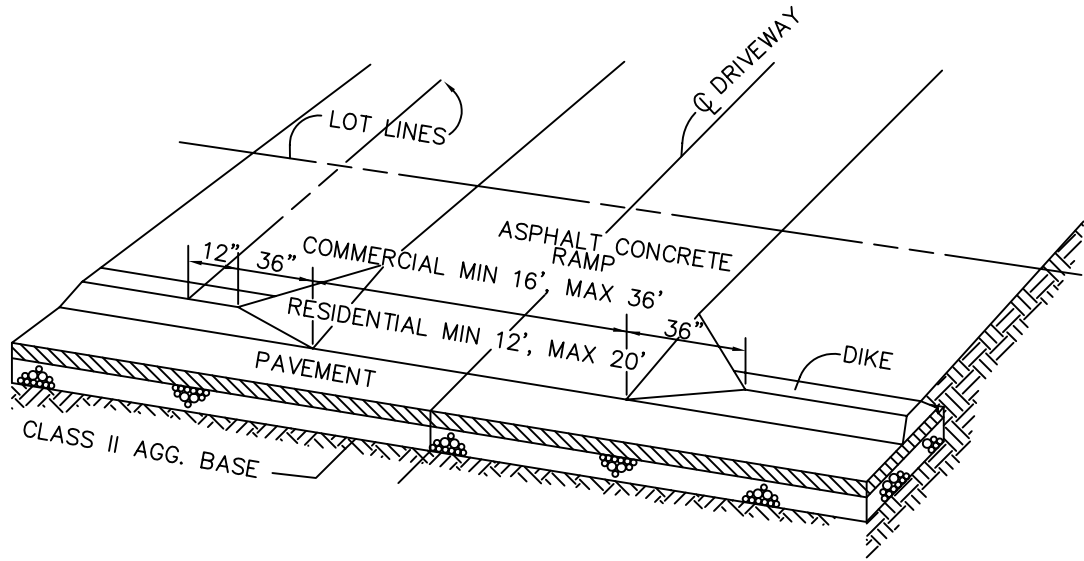
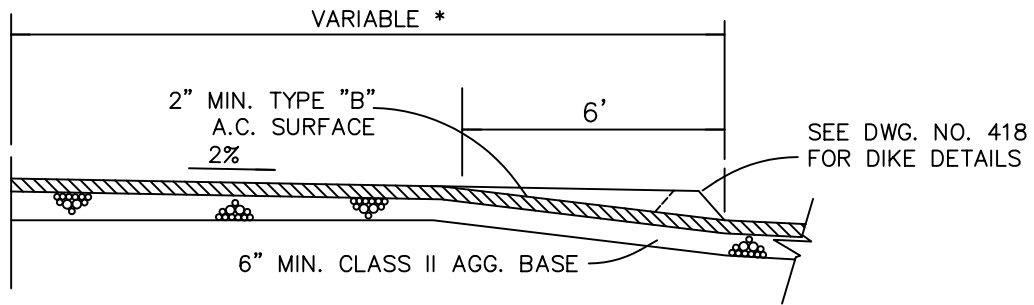


REVISIONS				APPROVALS	
DESCRIPTIONS	BY	DATE	APPROVED	COUNCIL RESOLUTION NO.	3/10/92



PERSPECTIVE VIEW
NO SCALE



CL SECTION

* PAVING MAY BE REQUIRED BEYOND THE R/W LINE IF NECESSARY TO CONTROL SILTING OF THE GUTTER

P.C. CONCRETE MAY BE USED AS AN ALTERNATIVE PER DRAWING NO. 423

DRAWN BY: R.A.L. DESIGNED BY: S.J.S. DATE: 2/27/92 FILE NAME: AT424.DWG	CITY OF ATASCADERO ENGINEERING DEPARTMENT DRIVEWAY APPROACH WITH AC DIKE	DRAWING NO. 424
--	---	------------------------