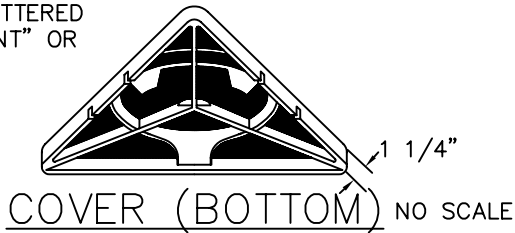
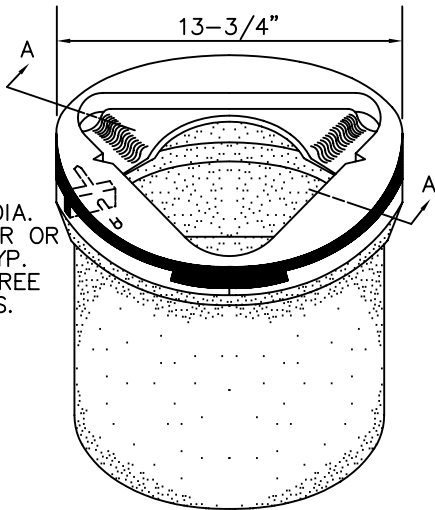


REVISIONS				APPROVALS	
DESCRIPTIONS	BY	DATE	APPROVED	COUNCIL RESOLUTION NO.	3/10/92

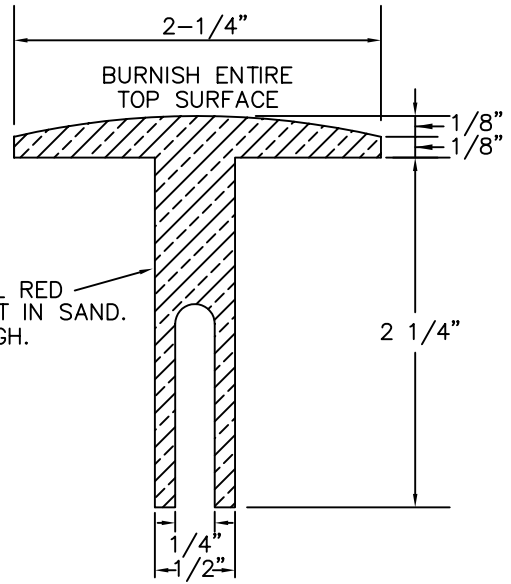
COVER LETTERED
"MONUMENT" OR
"SURVEY"



3/4" DIA.
ANCHOR OR
PIN, TYP.
(3) THREE
PLACES.



ISOMETRIC



CAP SECTION

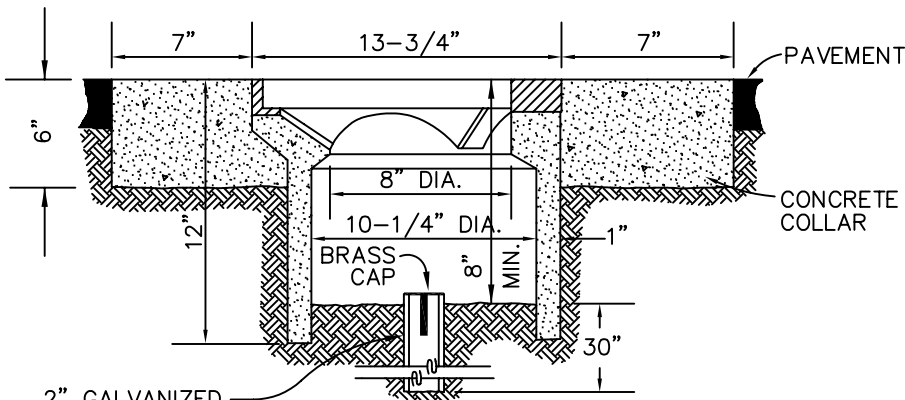
NOTE:

1. ENGINEER OR SURVEYOR SETTING THE MONUMENT SHALL INDICATE EXACT POINT BY MARKING A CROSS ON THE CAP. HE SHALL ALSO STAMP HIS LICENSE TYPE & NUMBER.
2. MONUMENT WELL TO BE BROOKS PRODUCTS No. 4TT OR EQUAL.



RISER RING
NO SCALE

LETTERS DEPRESSED
1/32" DEEP "U" CUT
AFTER BURNISHING.



SECTION A-A
NO SCALE



CAP PLAN

DRAWN BY:
R.A.L.
DESIGNED BY:
S.J.S.
DATE:
2/27/92
FILE NAME:
AT426.DWG

CITY OF ATASCADERO
ENGINEERING DEPARTMENT

DRAWING NO.

STANDARD STREET MONUMENT

426