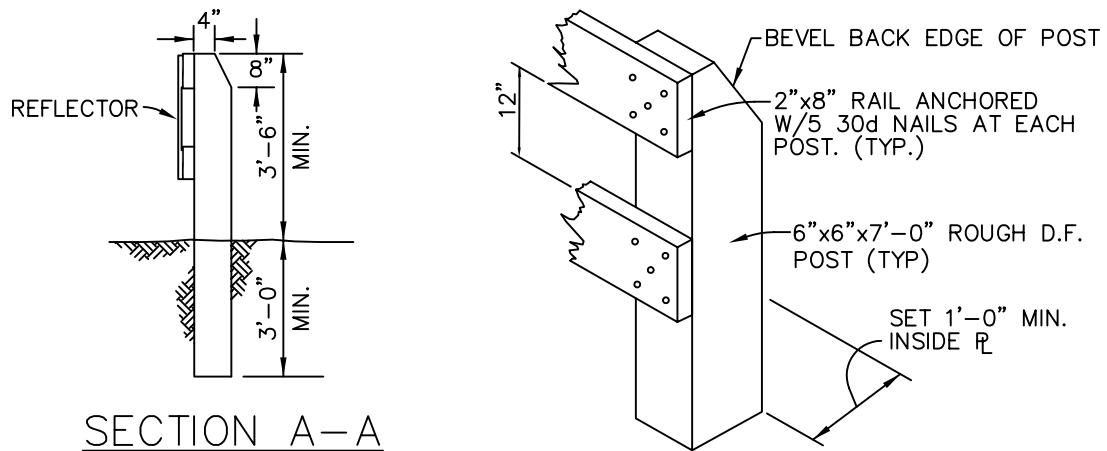
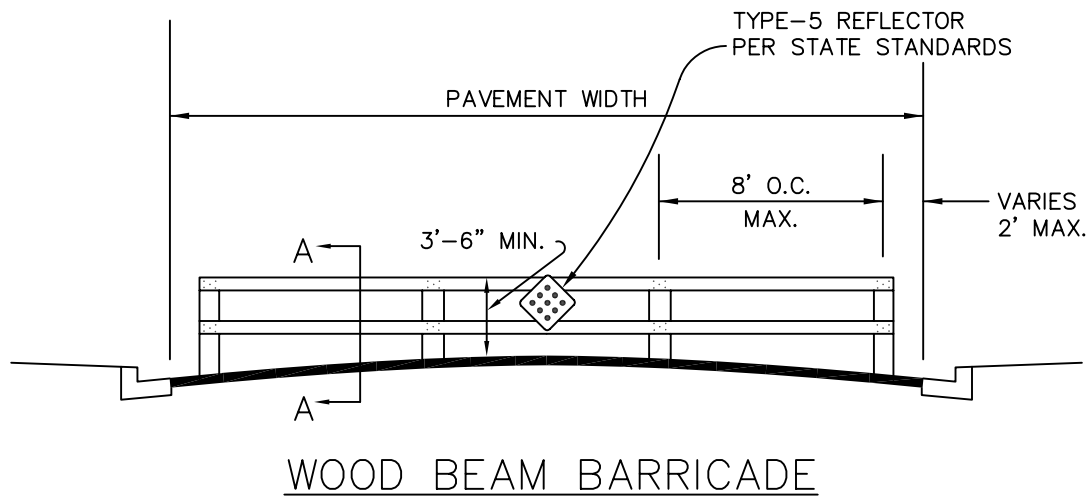


| REVISIONS    |    |      |          | APPROVALS              |         |
|--------------|----|------|----------|------------------------|---------|
| DESCRIPTIONS | BY | DATE | APPROVED | COUNCIL RESOLUTION NO. | 3/10/92 |
|              |    |      |          |                        |         |
|              |    |      |          |                        |         |



- NOTES:**
1. RAILS TO BE 2" x 8" CLEAR D.F. S4S AND POSTS TO BE 6"x 6"x 7'-0" ROUGH D.F.
  2. BUTT ALL RAIL JOINTS ON CENTER OF POST.
  3. ALL EXPOSED WOOD SHALL BE PAINTED WHITE, 2 COATS.
  4. STANDARD W21R REFLECTORS TO BE LOCATED AS SHOWN.
  5. PAINT PER STATE STANDARD SPECIFICATIONS, SECTION 91-3

|                         |  |             |
|-------------------------|--|-------------|
| DRAWN BY:<br>R.A.L.     | CITY OF ATASCADERO<br>ENGINEERING DEPARTMENT | DRAWING NO. |
| DESIGNED BY:<br>S.J.S.  |  | 428         |
| DATE:<br>2/27/92        | WOOD BEAM BARRICADE                          | 428         |
| FILE NAME:<br>AT428.DWG |  |             |