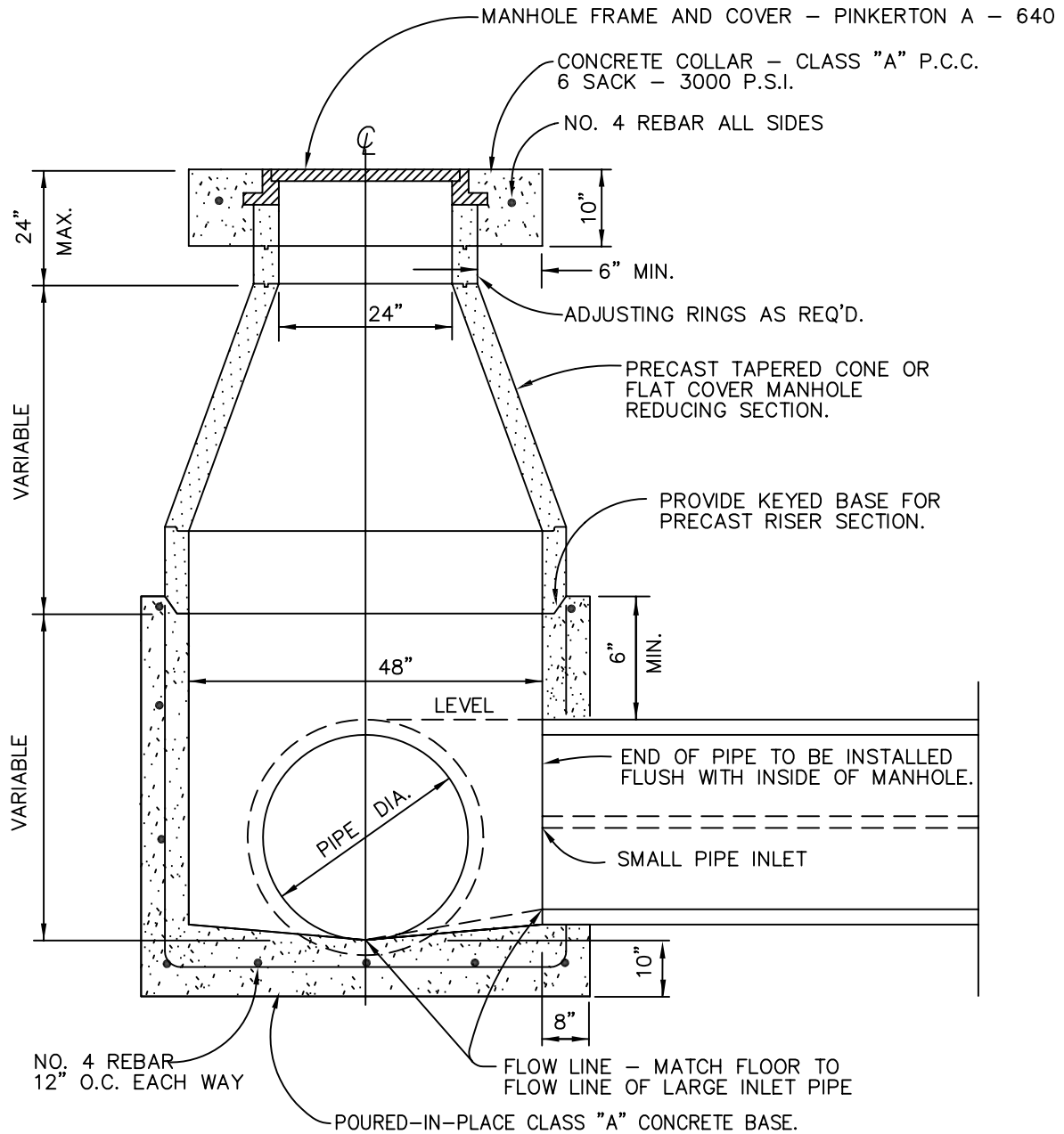


| REVISIONS | | | | APPROVALS | |
|--------------|----|------|----------|------------------------|---------|
| DESCRIPTIONS | BY | DATE | APPROVED | COUNCIL RESOLUTION NO. | 3/10/92 |
| | | | | | |
| | | | | | |

- NOTE: 1. PRECAST PIPE, ADJUSTING RINGS AND TAPERED SECTIONS SHALL BE CONSTRUCTED IN ACCORDANCE WITH STATE STANDARDS FOR CLASS 2 REINFORCED CONCRETE.
2. ALL JOINTS BETWEEN PRECAST SECTIONS SHALL BE MORTARED.
3. INTERIOR OF THE MANHOLE SHALL HAVE A SMOOTH TROWELED SURFACE.
4. MANHOLE COVER SHALL HAVE THE WORDS "STORM SEWER" MOLDED INTO THE COVER.



| | | |
|-------------------------|--|-------------|
| DRAWN BY: R.A.L. | CITY OF ATASCADERO ENGINEERING DEPARTMENT | DRAWING NO. |
| DESIGNED BY: S.J.S. | | 501 |
| DATE: 2/27/92 | STORM DRAIN MANHOLE | 501 |
| FILE NAME: AT501.DWG | | |