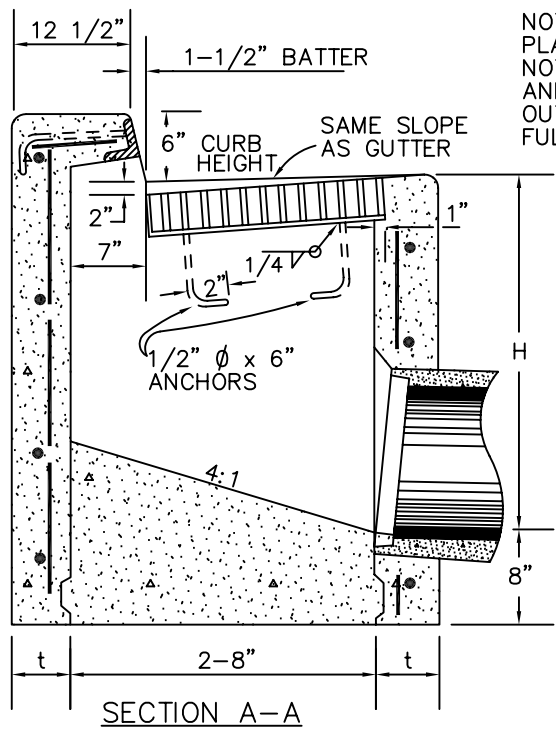
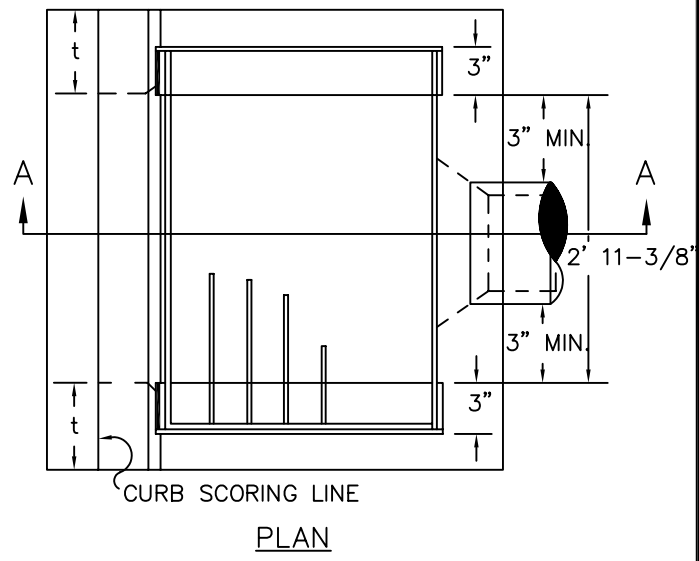


REVISIONS				APPROVALS	
DESCRIPTIONS	BY	DATE	APPROVED	COUNCIL RESOLUTION NO.	3/10/92

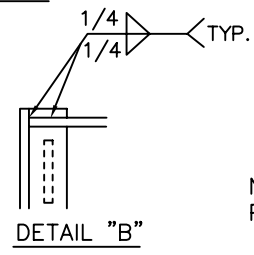
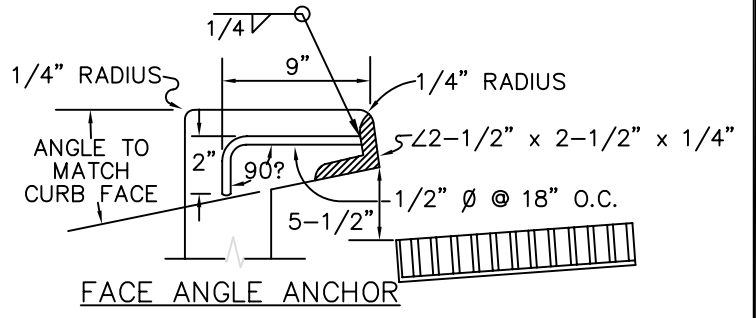


NOTE: REINFORCING STEEL SHALL BE #4 BARS AT 18" O.C. PLACED 1-1/2" CLEAR TO INSIDE OF BOX UNLESS OTHERWISE NOTED. BASIN FLOORS SHALL HAVE WOOD FLOAT FINISH AND A MINIMUM SLOPE OF 4:1 FROM ALL DIRECTIONS TOWARDS OUTLET PIPE.. USE CLASS "A" P.C.C. FACE ANGLE TO EXTEND FULL WIDTH OF BOX..



H	t
8'-0" OR LESS	6"
8'-1" TO 20'-0"	8"

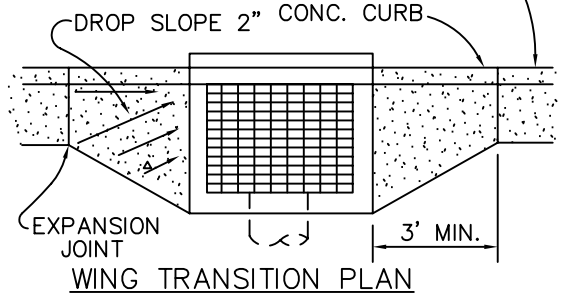
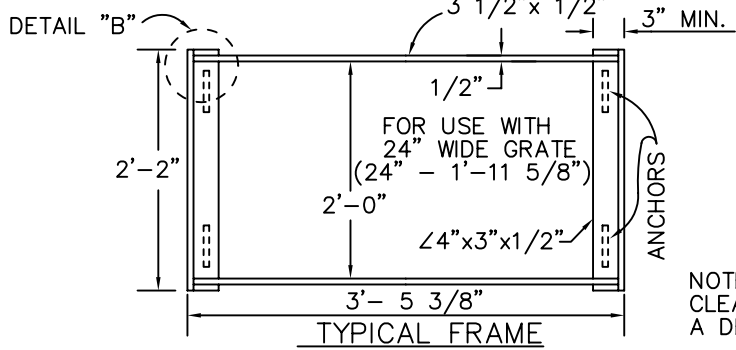
HEIGHT TABLE



NOTE: FRAME SHALL BE DIPPED OR PAINTED IN COMMERCIAL QUALITY ASPHALTUM PAINT.

NOTE: GRATES TO BE BICYCLE PROOF PER STATE STD. PLAN D77-B

A.C. BERM IN RURAL AREAS ONLY



NOTE: PIPES THAT ARE UNABLE TO ATTAIN 3" MIN. CLEARANCE FROM INSIDE BOX WALLS WILL REQUIRE A DESIGN APPROVED BY THE CITY ENGINEER.

DRAWN BY: R.A.L.	CITY OF ATASCADERO ENGINEERING DEPARTMENT	DRAWING NO.	
DESIGNED BY: S.J.S.		STORM DRAIN INLET	
DATE: 02/27/92			502
FILE NAME: AT502.DWG			