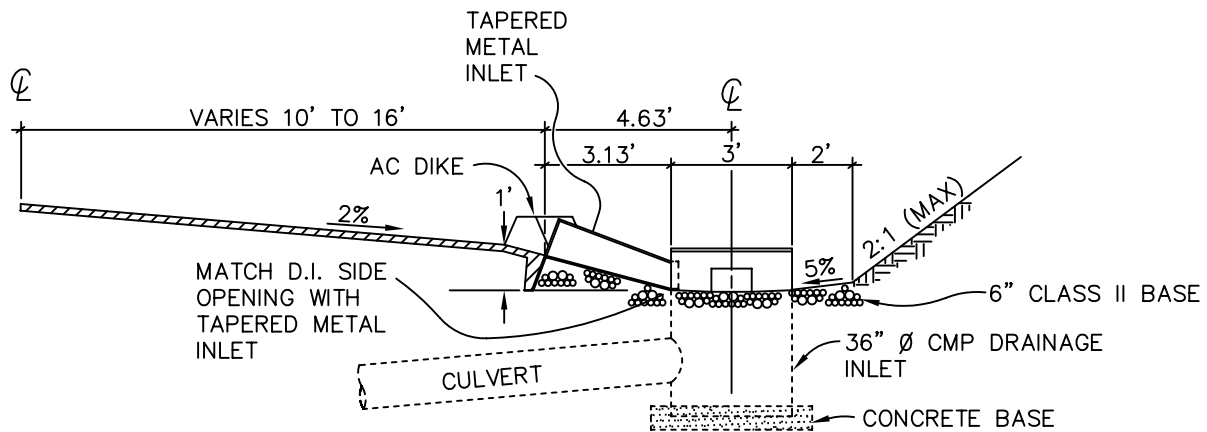
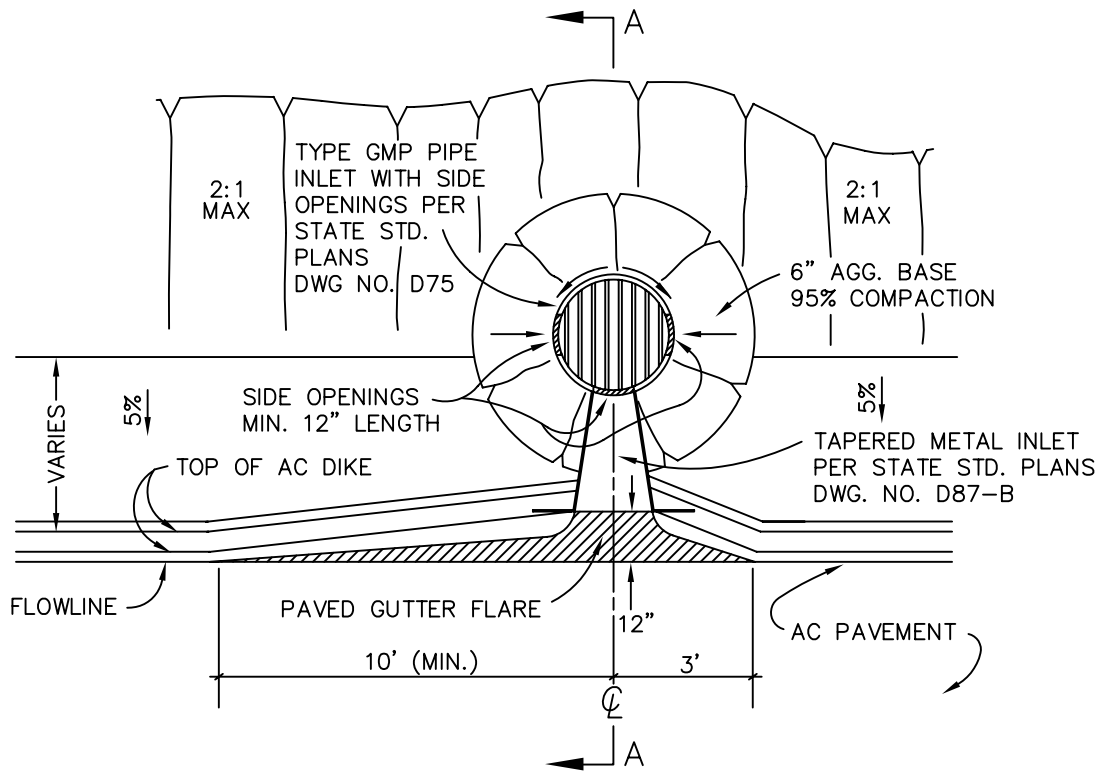


| REVISIONS | | | | APPROVALS | |
|--------------|----|------|----------|------------------------|---------|
| DESCRIPTIONS | BY | DATE | APPROVED | COUNCIL RESOLUTION NO. | 3/10/92 |
| | | | | | |
| | | | | | |



SECTION A-A

NOTE:
 IN SAG LOCATIONS USE 10'
 LENGTH OF GUTTER FLARE
 ON BOTH SIDES AND GRATED
 DRAINAGE INLET.

| | | |
|-------------------------|--|-------------|
| DRAWN BY: R.L.W. | CITY OF ATASCADERO ENGINEERING DEPARTMENT | DRAWING NO. |
| DESIGNED BY: S.J.S. | | 503 |
| DATE: 02/27/92 | RURAL DRAINAGE INLET ROADS WITH AC DIKE | |
| FILE NAME: AT503.DWG | | |