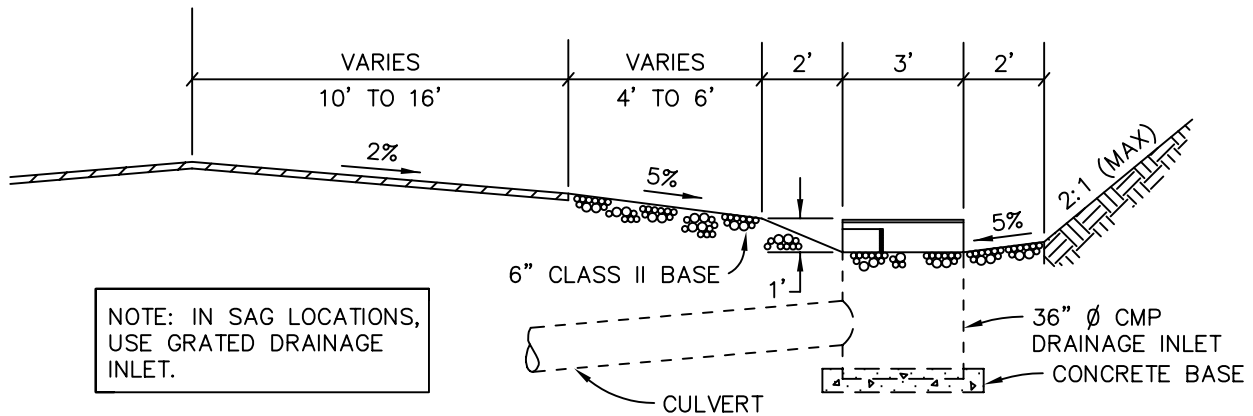
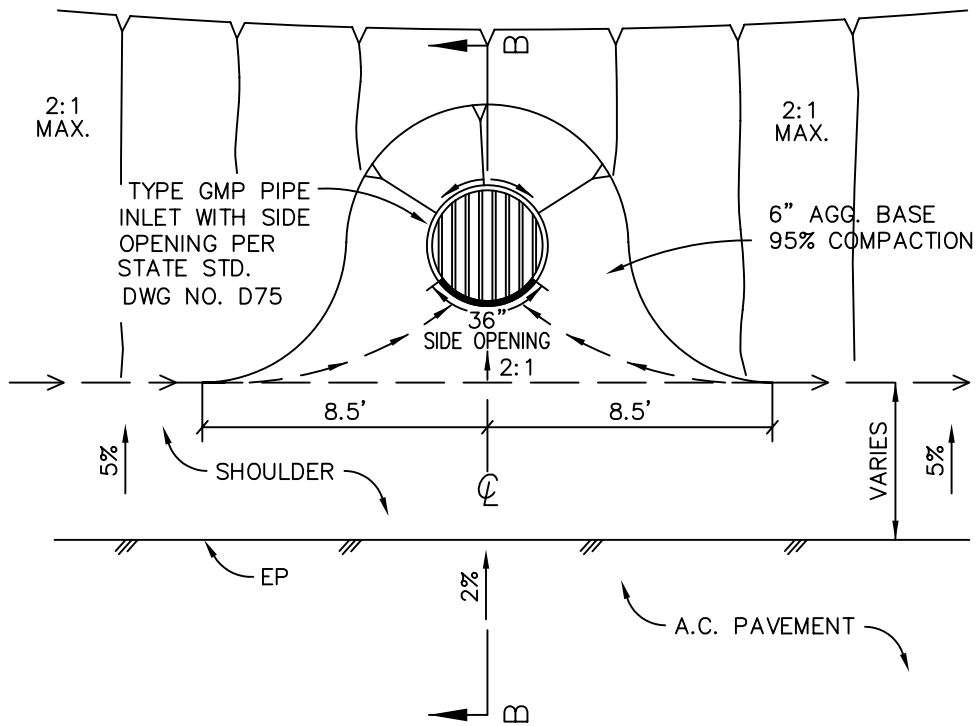


REVISIONS				APPROVALS	
DESCRIPTIONS	BY	DATE	APPROVED	COUNCIL RESOLUTION NO.	3/10/92



NOTE: IN SAG LOCATIONS, USE GRATED DRAINAGE INLET.

SECTION B-B

DRAWN BY: R.A.L.	CITY OF ATASCADERO ENGINEERING DEPARTMENT	DRAWING NO.
DESIGNED BY: S.J.S.		504
DATE: 02/27/92		
FILE NAME: AT504.DWG	RURAL DRAINAGE INLET ROADS WITHOUT A.C. DIKE	