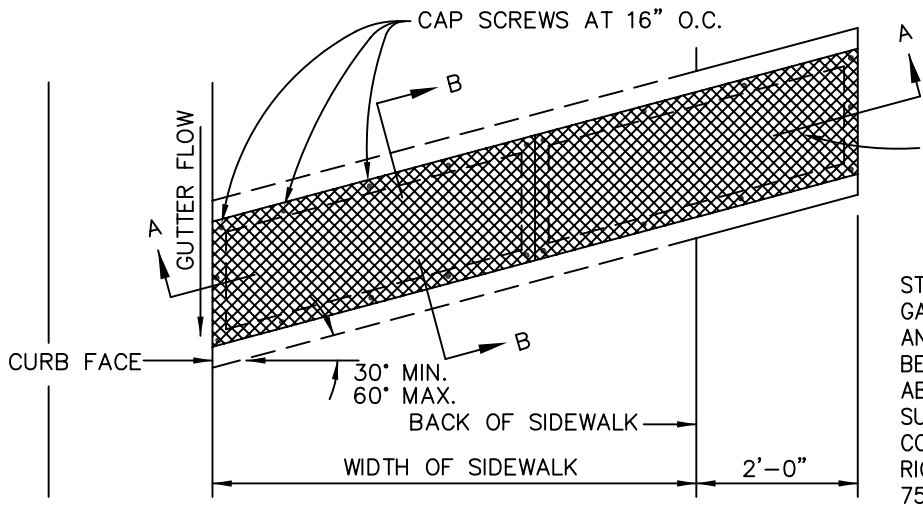


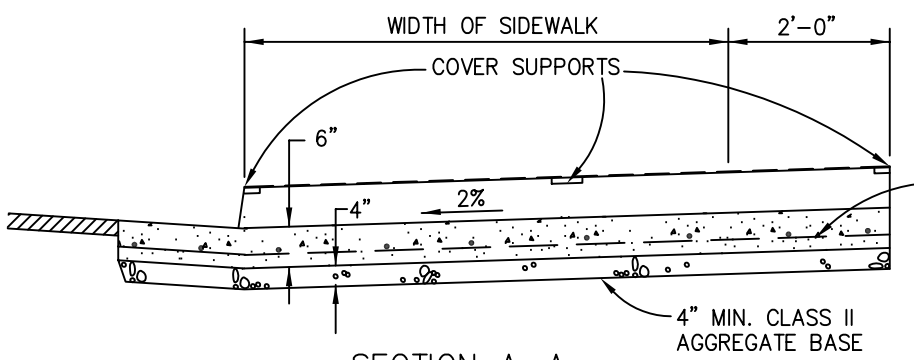
REVISIONS				APPROVALS	
DESCRIPTIONS	BY	DATE	APPROVED	COUNCIL RESOLUTION NO.	3/10/92



"DIAMOND PLATE" STEEL PLATE, 1/4" THICK, TWO EQUAL LENGTH PLATES.

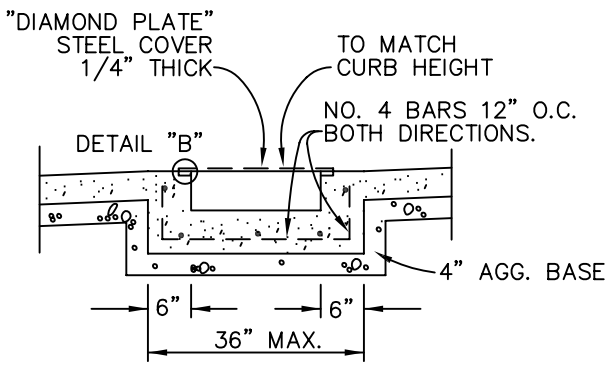
STEEL PLATES SHALL BE GALVANIZED. ALL CORNERS AND SHARP EDGES SHALL BE GROUND SMOOTH. ALL ABRADED AND DAMAGED SURFACES SHALL BE COATED WITH A ZINC-RICH PAINT, AS PER 75-1.05 OF THE STATE STANDARD SPECIFICATIONS.

PLAN

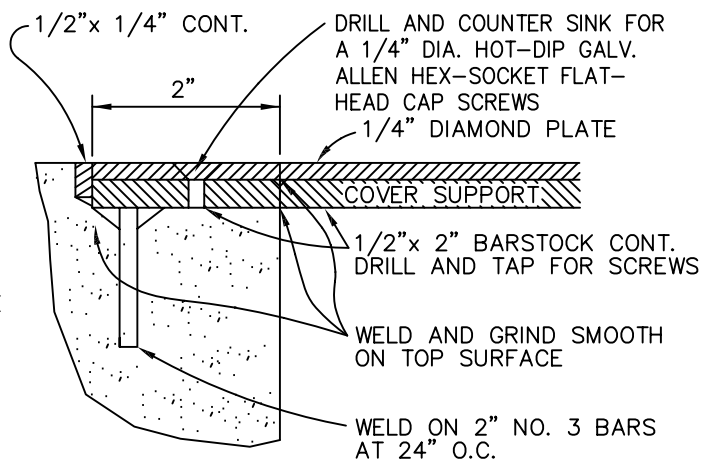


P.C.C. FLOOR WITH NO. 4 BARS BOTH DIRECTIONS, 12" O.C.

SECTION A-A



SECTION B-B



DETAIL "B"

DRAWN BY: C.A.C.	CITY OF ATASCADERO ENGINEERING DEPARTMENT	DRAWING NO.
DESIGNED BY: S.J.S.		510
DATE: 2/27/92	SIDEWALK UNDERDRAIN, STEEL COVERED	
FILE NAME: AT510.DWG		