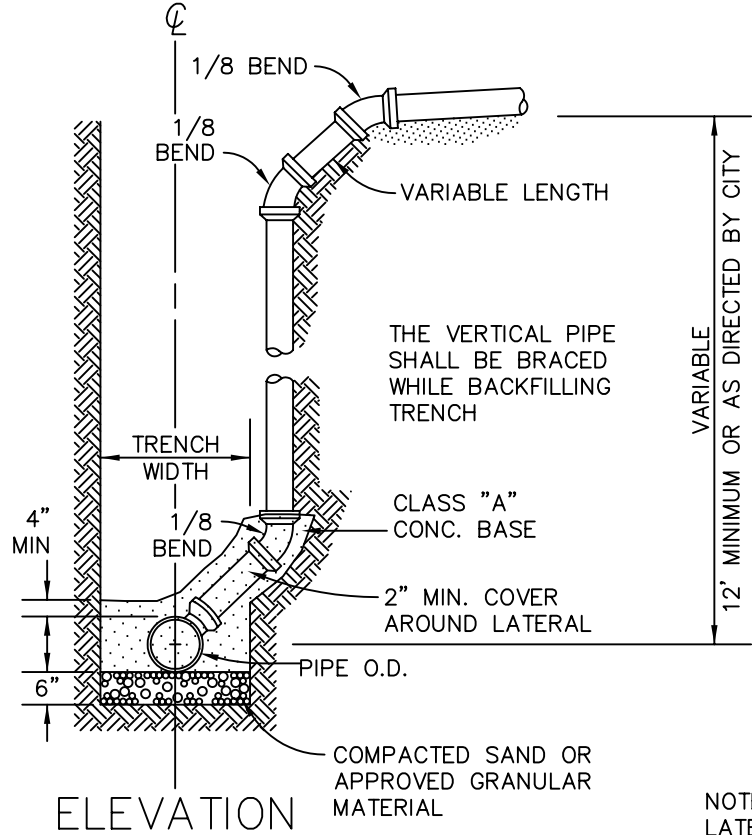
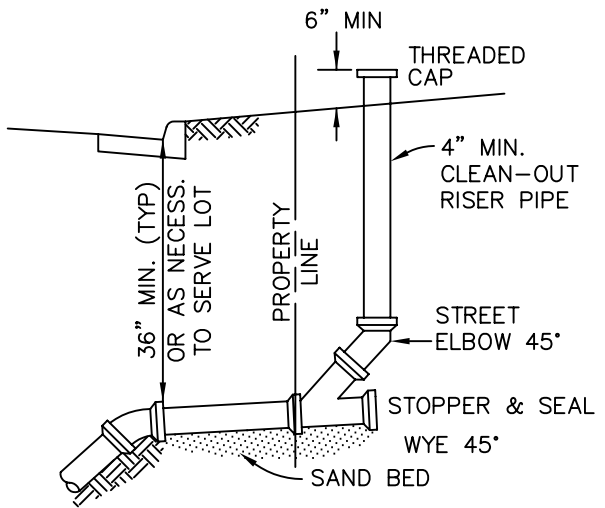
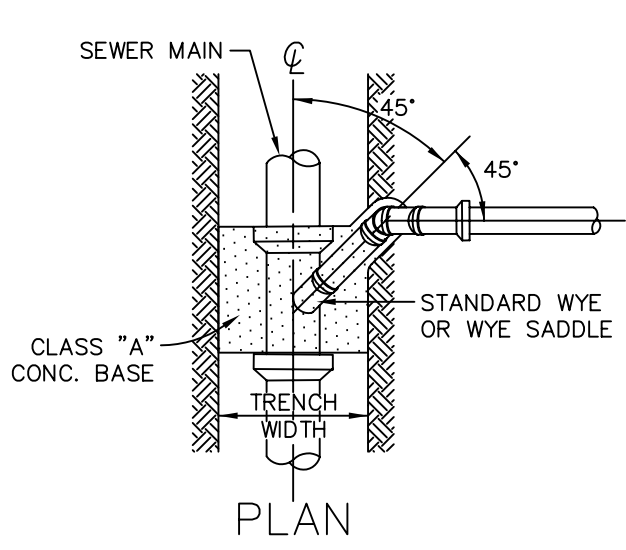


REVISIONS				APPROVALS	
DESCRIPTIONS	BY	DATE	APPROVED	COUNCIL RESOLUTION NO.	3/10/92



NOTE: ALL JOINTS ON SEWER LATERAL PIPE SHALL BE COMPRESSION TYPE OR APPROVED SOLVENT WELD.

P.V.C. PIPE MUST PASS A SOLID BALL TEST FOR DEFLECTION.

DRAWN BY: R.A.L. DESIGNED BY: S.J.S. DATE: 2/27/92 FILE NAME: AT604.DWG	CITY OF ATASCADERO ENGINEERING DEPARTMENT  STEEP SEWER SERVICE LATERALS	DRAWING NO.  604
--	--	------------------------