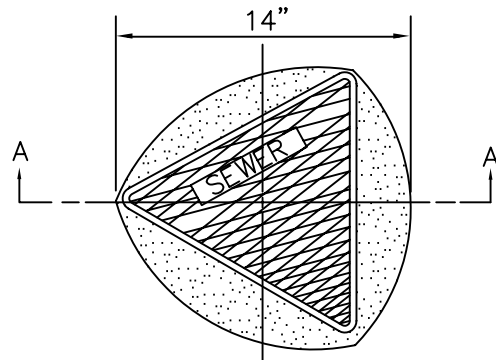
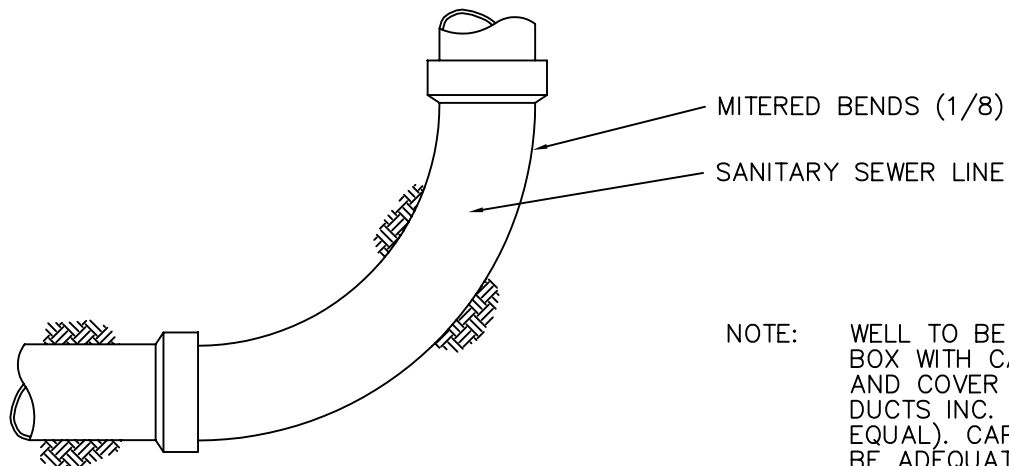
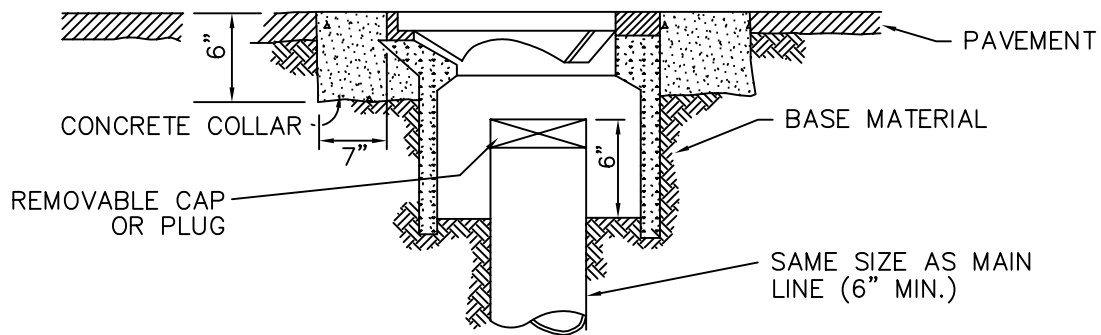


REVISIONS				APPROVALS	
DESCRIPTIONS	BY	DATE	APPROVED	COUNCIL RESOLUTION NO.	3/10/92



PLAN

NOTE: NO LATERALS ARE TO BE CONNECTED TO CLEANOUTS.



SECTION A-A

NOTE: WELL TO BE No. 4TT VALVE BOX WITH CAST IRON FACE AND COVER (BROOKS PRODUCTS INC. OR APPROVED EQUAL). CAPACITY SHALL BE ADEQUATE FOR STATE H20-S16 TRAFFIC LOADING.

DRAWN BY: R.A.L.	CITY OF ATASCADERO ENGINEERING DEPARTMENT	DRAWING NO.
DESIGNED BY: S.J.S.		605
DATE: 02/27/92	SEWER CLEANOUT	
FILE NAME: AT605.DWG		