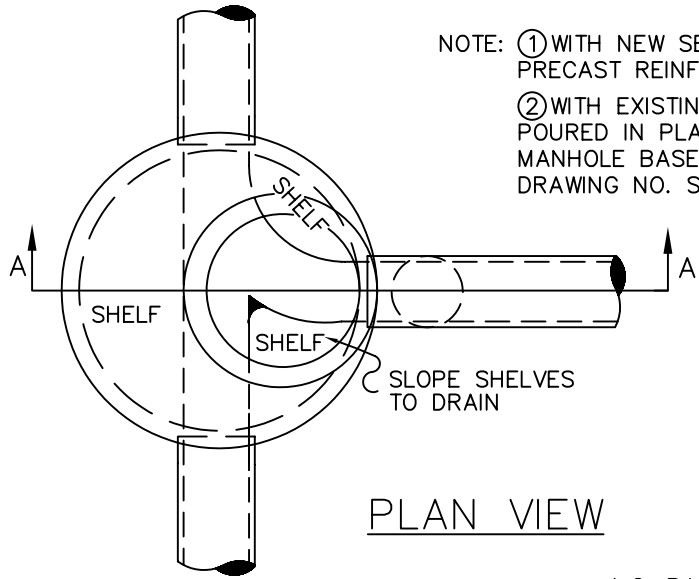


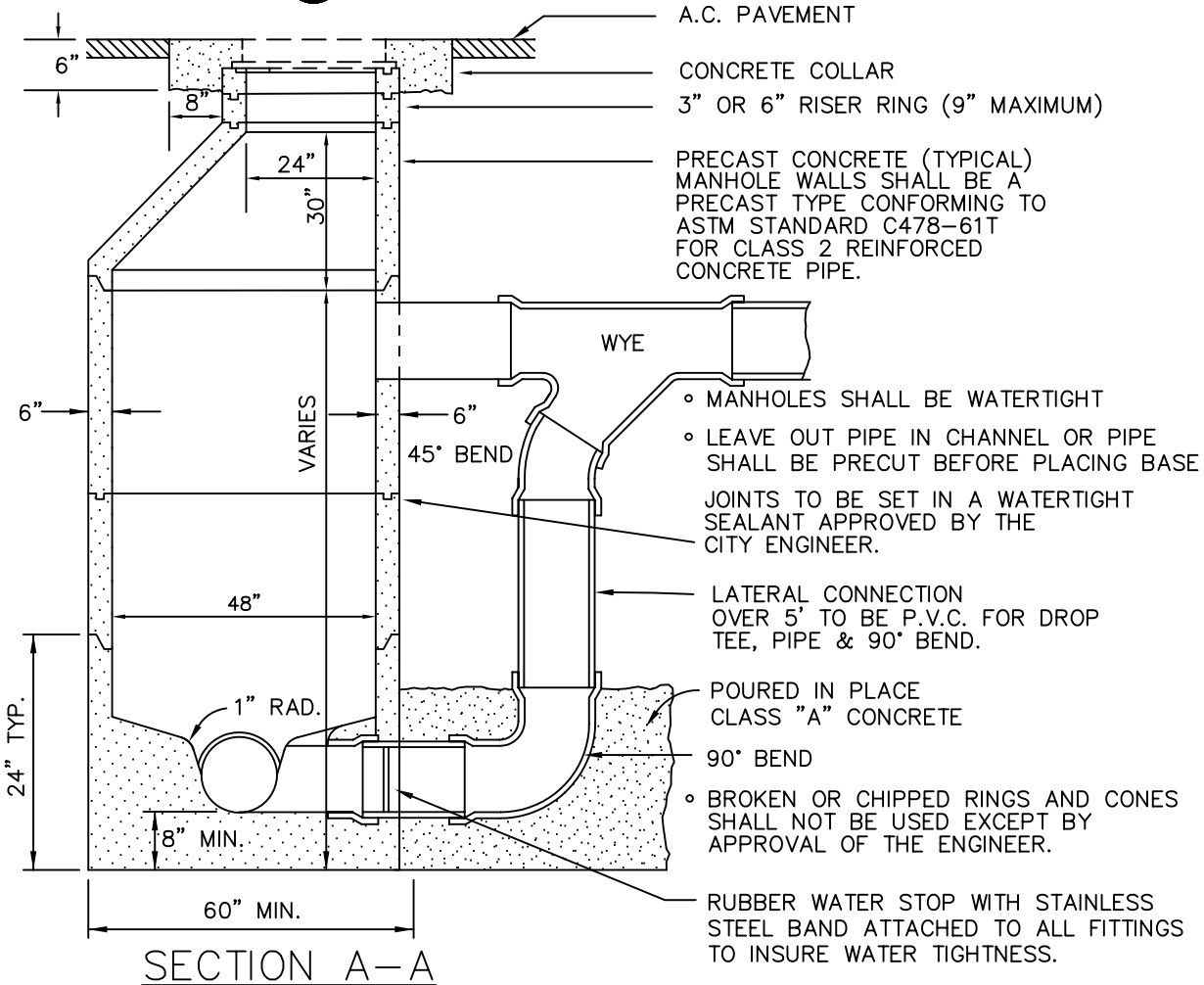
REVISIONS			APPROVALS		
DESCRIPTIONS	BY	DATE	APPROVED	COUNCIL RESOLUTION NO. 26-92	3/10/92



NOTE: ① WITH NEW SEWER INSTALLATIONS:
 PRECAST REINFORCED MANHOLE BASES
 ② WITH EXISTING SEWER:
 POURED IN PLACE CLASS "A" CONCRETE
 MANHOLE BASE PER S.L.O. CO. STANDARDS
 DRAWING NO. S-3

MANHOLE FRAME AND COVER
 TO CONFORM WITH STANDARD
 DETAIL NO. 608

PLAN VIEW



SECTION A-A

DRAWN BY: R.A.L.	CITY OF ATASCADERO ENGINEERING DEPARTMENT	DRAWING NO.
DESIGNED BY: S.J.S.		607
DATE: 2/27/92	TYPICAL DROP MANHOLE	
FILE NAME: AT607.DWG		