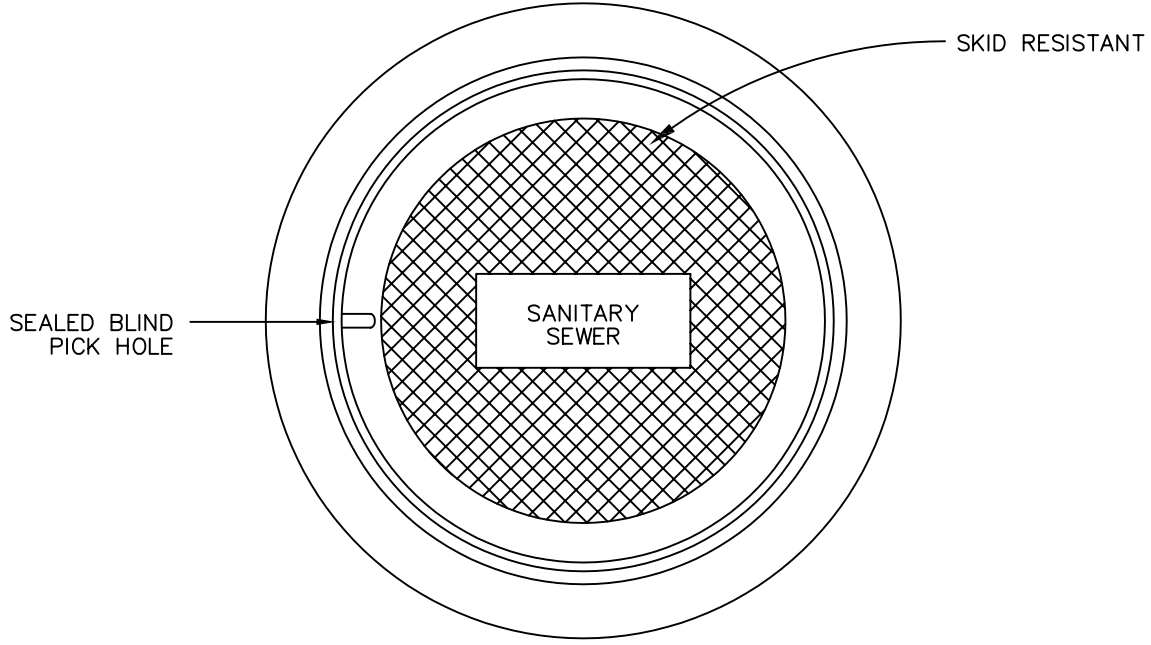
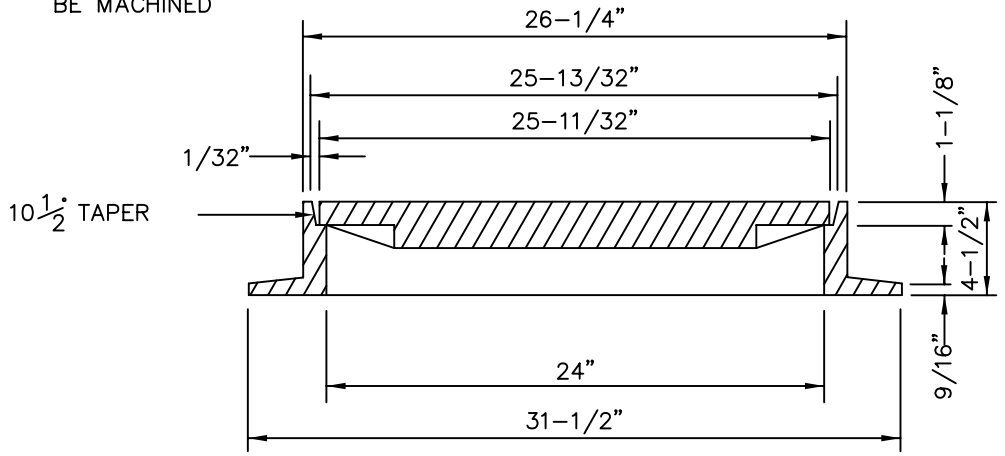


REVISIONS				APPROVALS	
DESCRIPTIONS	BY	DATE	APPROVED	COUNCIL RESOLUTION NO.	3/10/92



ALL CONTACT SURFACES TO BE MACHINED



SOUTHBAY FOUNDRY 1900
OR APPROVED EQUAL

NOTE: CAPACITY SHALL BE ADEQUATE FOR STATE H20-S16 TRAFFIC LOADING

DRAWN BY: C.A.C.	CITY OF ATASCADERO ENGINEERING DEPARTMENT	DRAWING NO.
DESIGNED BY: S.J.S.		608
DATE: 2/27/92	SEWER MANHOLE COVER	
FILE NAME: AT608.DWG		